



ULMA SUBSIDIARIES

ARGENTINA

ULMA Packaging, S.A.
Avda. 101 - Iturraspe 10 75
General. San Martín (B1650ICC)
Provincia de Buenos Aires (Rep. Argentina)
Tel.: +54 (11) 47 13 83 75
Fax: +54 (11) 47 55 39 83
e-mail: ulmapackaging@ulmapackaging.com.ar

AUSTRALIA

ULMA Packaging (Australia) Pty Ltd
9 Archimedes Place Murarrie
P. O. Box 394 Brisbane QLD 4171
AUSTRALIA
Tel.: +61 (07) 3399 4922
Fax: +61 (07) 3399 4688
e-mail: info@ulmapackaging.com.au

BRASIL

ULMA Packaging Ltda.
Rua Alvaro Rodrigues, nº 429 / 449
Brooklin
04582-000-SÃO PAULO-SP (Brasil)
Tel.: +55 (011) 5092 6060
Fax: +55 (011) 5092 6059
e-mail: ulma@packaging-ulma.com.br

FRANCE

ULMA Packaging SARL.
Centre Eflia - Z.I. Jalday
64500 SAINT JEAN DE LUZ (France)
Tel.: +33 (0) 559 08 07 07
Fax: +33 (0) 559 08 07 00
e-mail: info@ulmapackaging.fr

GERMANY

ULMA Packaging GmbH.
Torfstelle, 10
21217 SEEVETAL (Germany)
Tel.: +49 (0) 40 702 923-3
Fax: +49 (0) 40 702 923-45
e-mail: info@ulma-packaging.de

HOLANDA

ULMA Packaging B.V.
Techniekweg 19 A
4143 HW LEERDAM (Nederland)
Tel.: +31 (0) 345 623800
Fax: +31 (0) 345 623918
e-mail: info@ulmapackaging.nl

ITALY

ULMA Packaging srl
Strada al Rio Chiappone, 1
Angolo Via Emilia Pavese
29100 PIACENZA (Italy)
Tel.: +39 0523 400 800
Fax: +39 0523 400 801
e-mail: info@ulmapackaging.it

MÉXICO

ULMA Packaging S.A. de C.V.
Via Gustavo Baz nº 305
Col. La Loma Tlalnepantla
C.P.54060 Edo. de México (México)
Tel.: +52 - 5365 80 72
Fax: +52 - 5365 80 75
e-mail: info@ulmapackaging.com.mx

SOUTH AFRICA

ULMA Packaging Systems (SA) (Pty) Ltd
Village Crescent, Linbro Village
LINBRO PARK, SANDTON (South Africa)
Tel.: +27 (11) 608 40 05 / 06
Fax: +27 (11) 608 40 77
e-mail: ulma@icon.co.za

UK

ULMA Packaging Ltd
Unit 4, Woodland Court
Coach Crescent, Shireoaks
Workshop Nottinghamshire, S81 8AD (UK)
Tel.: +44 (0) 1909 506 504
Fax: +44 (0) 1909 506 509
e-mail: info@ulmapackaging.co.uk

USA

ULMA Packaging Systems, Inc.
3035 Torrington Drive
Ball Ground, GA 30107 (USA)
Tel.: +1 (770) 345-5300
Fax: +1 (770) 345-5322
e-mail: ulmapack@aol.com

DELEGACIONES ULMA

DELEGACIÓN ANDALUCÍA

Polígono Fridex
Autovía Sevilla - Málaga Km.4,2
41500 ALCALÁ DE GUADAIRA (Sevilla)
Tel.: 95 - 563 00 15
Fax: 95 - 563 00 17

DELEGACIÓN CANARIAS

Camino de las Gavias, 131
38204 LA LAGUNA (Tenerife)
Tel.: 922 - 31 44 47
Fax: 922 - 31 58 10

DELEGACIÓN CATALUÑA

C/ Pintor Velázquez, 7-9
08213 POLINYA (Barcelona)
Tel.: 93 - 713 28 45
Fax: 93 - 713 35 57

DELEGACIÓN CENTRO

Av. Cerro del Águila, 3
Parque Empresarial SANSE - Edificio 2 Of. 2-B1
28700 S.S DE LOS REYES (Madrid)
Tel.: 91 - 652 37 00
Fax: 91 - 652 88 92

DELEGACIÓN GALICIA

Avda. de Frago, 6-3°C
36210 VIGO (Pontevedra)
Tel.: 986 - 23 15 30
Fax: 986 - 23 21 06

DELEGACIÓN LEVANTE

Avda. Cardenal Benlloch, 45 3°C
46021 VALENCIA
Tel.: 96 - 362 41 53
Fax: 96 - 362 32 80

DELEGACIÓN NORTE

Barrio Garibai 28
Apdo. 145
20560 OÑATI (Gipuzkoa)
Tel.: 943 - 73 92 00
Fax: 943 - 78 32 18

Qualified agents operate in countries not listed here, contact:

LOCAL SALES AND SERVICE



ULMA C y E, S. Coop.

Bº Garibai, 28 - Apdo. 145
20.560 OÑATI (Gipuzkoa) SPAIN
Tel.: +34 - 943 73 92 00
Fax: +34 - 943 78 08 19
Web: www.ulmapackaging.com
e-mail: info@packaging.ulma.es

Ver. 02/2005 AZAKTALDEA050089



STRETCH FILM

Serie Compact•Xtra

Packaging



Compact • Xtra

Fresh product packaging machine

The COMPACT and XTRA Models, Standard and Plus Versions, have been specially designed for Packaging Fresh Products with Stretch Films.

The Small Size of these Machines Allow Integration of "weighing and labeling" Equipment in Spaces of Approximately 1 square meter / 10.75 square feet.

The Versatility, Strength and Automatic Operation Make these Models Ideal for Wrapping Food Products in Supermarkets and Specialty Packing Centers.

TECHNICAL SPECIFICATIONS

- Space Saving Design.
- Totally Automatic Operation.
- Semi-Automatic Film Roll Change.
- PVC, Polyethylene, and Polyolefin Film Capable.
- Stainless Steel Construction.
- Highest Quality Package Appearance with Minimum Film Usage.
- Some Products can be Packaged Without Trays.
- Conforms to International Safety "CE" codes, and ISO 9001 Quality Standards.

OPTIONS

- "Weigh-label" Integration kit.
- Integrated Air Compressor.
- Centralized Lubrication System.
- Automatic Infeed Conveyor (Xtra Plus).
- Service Table.
- Film Heater.

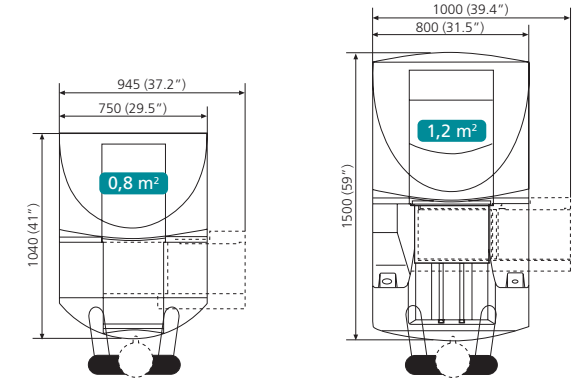


Easy handling

Automatic operation

Low maintenance

Space saving



SPECIFICATIONS/MODEL

		Compact / Compact Plus		Xtra / Xtra Plus	
Speed		up tp 20 ppm	up tp 22 ppm	up tp 25 ppm	up tp 30 ppm
Tray dimensions <small>(all maximums and minimum dimensions may not be attainable at the same time)</small>	Length	130 - 300 mm. (5" - 11.8")		130 - 380 mm. (5" - 15")	
	Width	100 - 230 mm. (4" - 9")		100 - 250 mm. (4" - 9.8")	
	Height	10 - 150 mm. (1/4" - 6")		30 - 160 mm. (1/2" - 6.3")	
Film Roll Dimensions	Maximum Diameter	225 mm. (9")		225 mm. (9")	
	Thickness	12 - 20 Microns (50 - 80 Gauge)		12 - 20 Microns (50 - 80 Gauge)	
	Core Diameter	75 - 113 mm. (3" - 4.5")		75 - 113 mm. (3" - 4.5")	
	Film Width	380 - 450 mm. (15" - 18") (optional 300 (12"))		350 - 550 mm. (13.5" - 19.5")	
Electrical Specifications	Voltage	230 / 400 V Three-phase ±10% + Neutral + Ground - 50/60 Hz			
	Power Consumption	1,8 kW - 5 Amp. / 380 V. • 8,5 Amp. / 220 V.		2,2 kW - 6 Amp. / 380 V. • 10 Amp. / 220 V.	
Pneumatic Consumption		100 l/min. / 6 bars (2.8" CFM / 90 PSI)		200 l/min. / 6 bars (2.8" CFM / 90 PSI)	
Weight		230 kg (506 lb)	245 kg (540 lb)	320 kg (705 lb)	325 kg (715 lb)

ULMA reserves the right to change specifications without prior notice.



- Easy Clean Out
- (optional) Central Lubrication



Automatic Infeeds: 1,5 and 2,5 m. / 5', and 8' (Xtra plus: option)



- Double Film Roll Mounting
- (optional) Film Heater



Easy Film Threading



Cheese Wrapping without Tray (Compact-S)



Automatic Tray Size Recognition



Service and Control Programs



Integration with Weighing and Labeling Equipment



90 Heated Exit Belt (Compact Plus)